

FINGERTEC®



Model: AC802 Plus

Fingerprint System for Time Attendance & Door Access Control

Introducing **FINGERTEC®** AC800 Plus series; an advanced fingerprint reader designed to have door access control function and time clocking function, all in one system. The **FINGERTEC®** AC800 Plus series utilizes the URU scanner, a superior optical scanner that produces greater accuracy and sensitivity, giving you excellent read all the time.

The **FINGERTEC®** AC800 Plus series is made user-friendly, suitable for all walks of life regardless of their technical knowledge. The Plus series is reliable to track employee's time clocking activities and it enhances door access security with its superb fingerprint verification system. The duress option function heightens the sense of the security in every user where you can trigger the alarm with one touch of your duress finger.

True employee clocking activities can be recorded by the system and with its enhanced access option plus the powerful TCMS V2 software; the **FINGERTEC®** AC800 Plus series is a great system to control your company's premises as well as to track your employee's activity.

The innovative design of the **FINGERTEC®** AC800 Plus series enables data to be stored in a USB Flash Disk (Pen Drive), and this function eliminates the need for crucial PC-reader connection. Complete with built-in doorbell and voice greetings, the series is not only sophisticated to be placed at your office but it also works effectively for today's busy yet vulnerable business era.

[FEATURES & BENEFITS]

- ▶ Manage one-to-many (1:N) identifications of 1500 templates (AC802 Plus)
- ▶ Allow a maximum of 10 fingerprints enrollment per user
- ▶ Allow 360° rotation fingerprint placement
- ▶ Possess storage capacity of 30,000 (AC802 Plus) with work code feature
- ▶ Offer easy enrollment and fast clocking system
- ▶ Equipped with built-in doorbell, voice greeting and door access system to ease operation
- ▶ Enable transactions download via RS232, RS485, TCP/IP and USB Flash Disk
- ▶ Complete with easy-to-use Windows based management software and built-in standard time and attendance features
- ▶ Improved management of human resources
- ▶ Duress option, which allows user to trigger alarm in case of emergency using duress finger

Fingerprint System for Time Attendance & Door Access Control

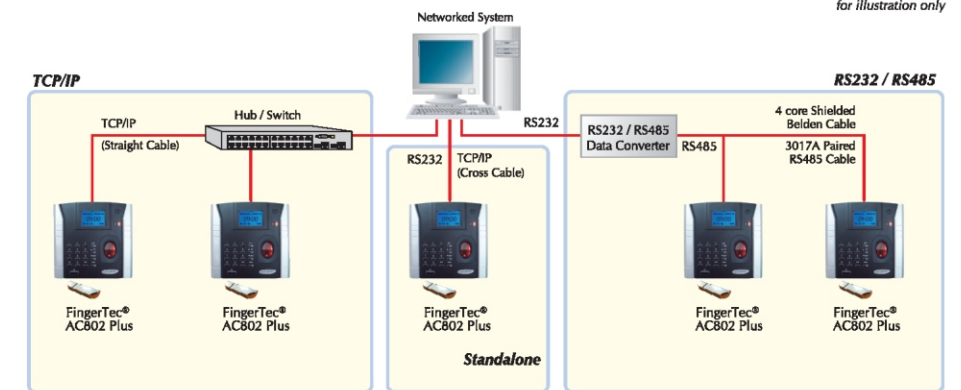


Model: AC802 Plus

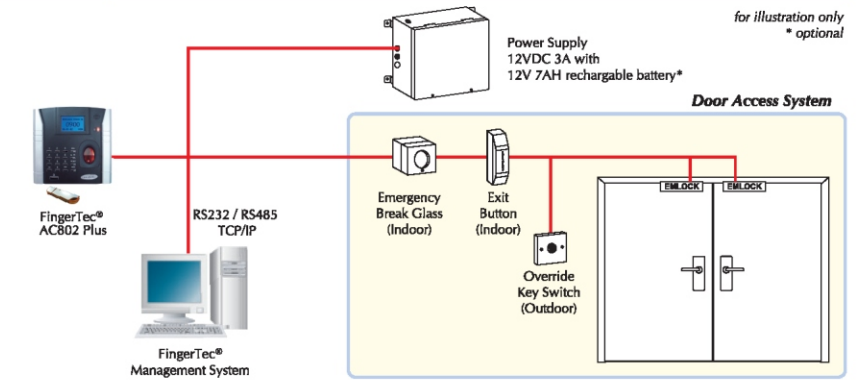


[LAYOUT PLAN]

▶ Layout Plan (Standalone)



▶ Installation Diagram



[SPECIFICATIONS]

Size (mm)	150 (L) x 145(H) x 38.5(W)
Identification Time (s)	≈ 1.2 sec for 1000 templates
Enrollment	Up to 10 fingerprints per user
Fingerprint Placement	Allow rotation of finger placement
FAR	< 0.0001%
FRR	< 1%
Transaction Storage	30,000 (AC802 Plus) with work code feature
User Capacity	1,500 templates (AC802 Plus)
Time Zone	50
Communications	RS232, RS485, TCP/IP, USB Flash Disk
Baud Rate (bps)	9600, 19200, 38400, 57600, 11520
Operating Temperature (°C)	0 - 45
Operating Humidity (%)	20 - 80
Power	DC 12V 3A
Language	English, Chinese

FINGERTEC®

www.fingertecindia.com

sales@fingertecindia.com

Authorized Reseller:



One finger solves it all

