



FingerTec® Keylock 6600 Series

FINGERTEC® Keylock 6600 Series effortlessly delivers security and sophistication to your access control with a combination of fingerprint verification technology, password and mechanical key to safeguard your property; its sleek design and robust structure adds the solid and exquisite appearance to your space.

FINGERTEC® Keylock 6600 Series is capable to read almost all types of fingerprints and in addition to its stylish scanner protection; the lock secures the scanner for excellent reading everytime. The unlocking methods of fingerprint and password employed by the **FINGERTEC®** Keylock 6600 Series provide user with extra comfort and safety. With the **FINGERTEC®** Keylock 6600 Series, you can leave your room without having to worry about your keys anymore.

FINGERTEC® Keylock 6600 Series brings door lock to a new level of elegance and making your door the center stage of the room.

[FEATURES & BENEFITS]

- ▶ **Secured locking methods**
Features three types of secured locking methods which include fingerprint, password and mechanical key for better protection.
- ▶ **Advanced sensor technology**
Keylock deploys the cutting edge matching fingerprint technology to ensure reliability of every fingerprint reading.
- ▶ **Scanner Protection**
Keylock is equipped with a cover which slides upward to protect the scanner from dust, moist, and weather effects, for a longer lasting and a more reliable scanner.
- ▶ **Robust Structure**
Keylock employs nanotechnology and its pure stainless steel mechanical rotating structure can make it lasts for 10 years under normal usage.
- ▶ **Easy Installation**
No additional hole is required to install Keylock, as it utilizes the existing doorknob hole available.
- ▶ **Battery Lifetime**
Only four 1.5V standard alkaline batteries needed and with its energy saving design, the batteries can last up to 15,000 unlocking activities under normal use.
- ▶ **Additional Feature on 6600A**
Supports 9V battery as backup power when internal battery is flat.

One finger solves it all



FingerTec® Keylock 6600 Series

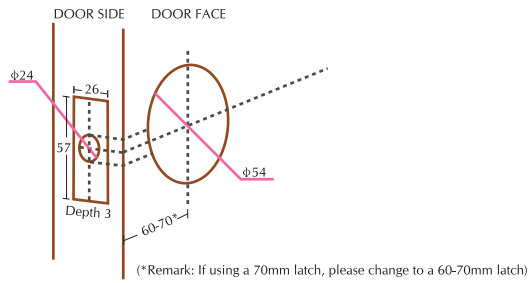
One finger solves it all



[INSTALLATION DIAGRAM]

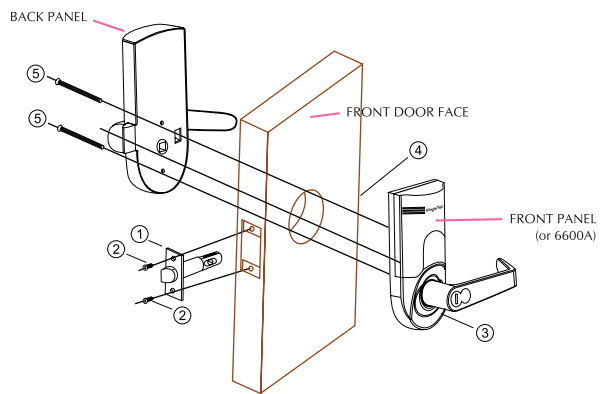
▶ Door Hole Layout

for illustration only



▶ Keylock Installation

for illustration only



[SPECIFICATIONS]

Scanner Area	18.2mm (L) x 16mm (W)
False Rejection Rate (FRR)	< 1%
False Acceptance Rate (FAR)	≤ 0.0001%
Maximum Template Capacity	Fingerprint - 75, Password - 78 (Keylock 6600) Fingerprint - 150, Password - 78 (Keylock 6600A)
Start Time	< 1 second
Encoding Time	< 1 second per encoding
Driving Time	< 0.2 second
Resolution Factor	560dpi
Power Consumption Suitable for Battery Operation	< 400mA (driving) < 100mA (activity) < 40uA (static)
Operating/Reserve Voltage	9V
Warning Voltage	4.8V
Anti Static Voltage	> 15000V
Working Temperature	20°C - 60°C (outdoor)
Password Length	8 digits
Password Setup	Changeable to any combination
Unlocking Methods	Fingerprint / Password / Mechanical Key
Backup Unlocking Methods	Mechanical Key (Keylock 6600) Mechanical Key or 9V Battery (Keylock 6600A)

Authorized Reseller:

FINGERTEC®
www.fingertec.com

© 2007 FingerTec Worldwide Ltd. All rights reserved.